

Schöck Isokorb® XT type Z



Schöck Isokorb® XT type Z

Thermal insulation element as supplement for different installation situations and fire protection requirements. The element does not transfer any forces.

XT
type Z

Reinforced concrete – reinforced concrete

Element arrangement | Installation cross sections

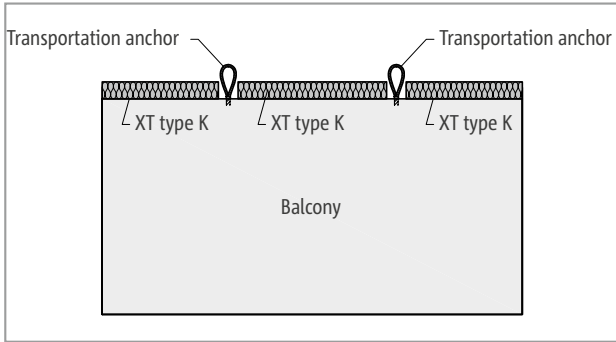


Fig. 232: Schöck Isokorb® XT type K: Precast balcony with transport anchor; insulating adapter XT type Z can be inserted on-site

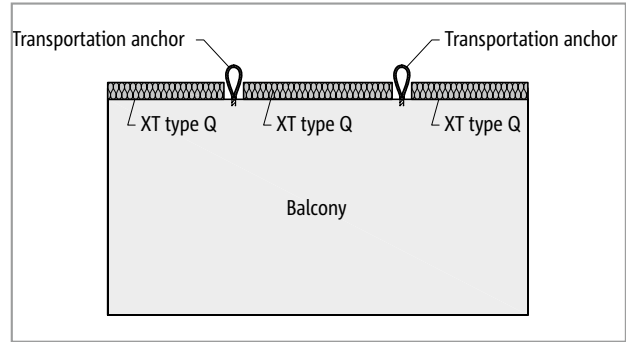


Fig. 233: Schöck Isokorb® XT type Q: Precast balcony with transport anchor; insulating adapter XT type Z can be inserted on-site

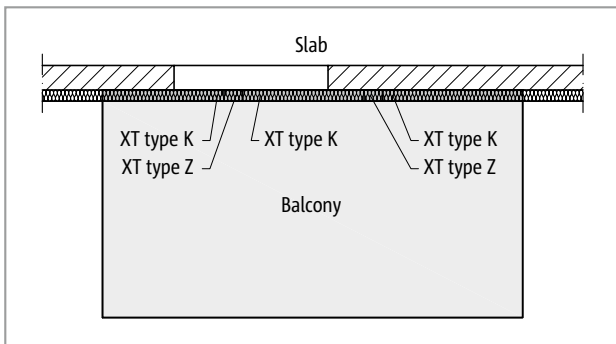


Fig. 234: Schöck Isokorb® XT type Z, K: Balcony freely cantilevered

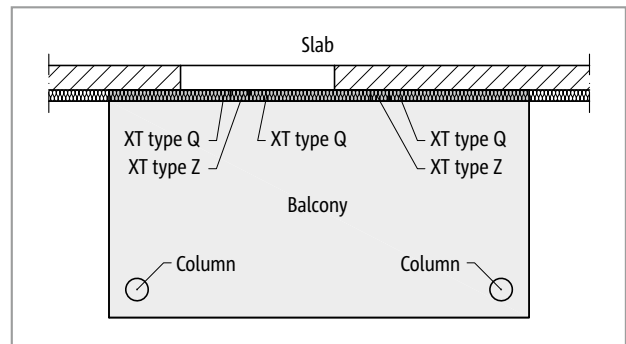


Fig. 235: Schöck Isokorb® XT type Z, Q: Balcony with column support

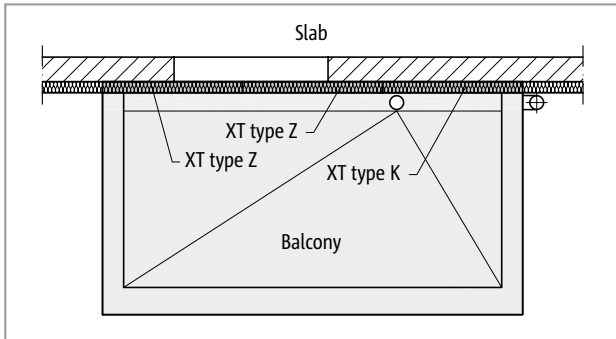


Fig. 236: Schöck Isokorb® XT type Z, K: Block-out for drainage with Schöck Isokorb® XT type Z

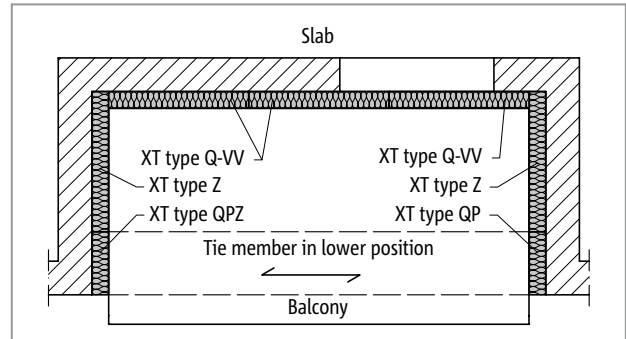


Fig. 237: Schöck Isokorb® XT type Z, Q-VV, Q-P, Q-PZ: Recessed balcony supported on three sides with tie member

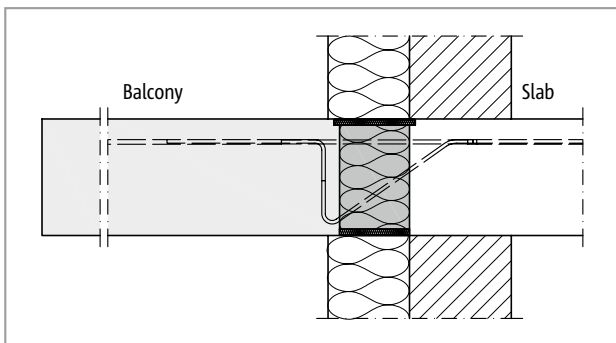


Fig. 238: Schöck Isokorb® XT type Z, K: Thermal insulating composite system (TICS)

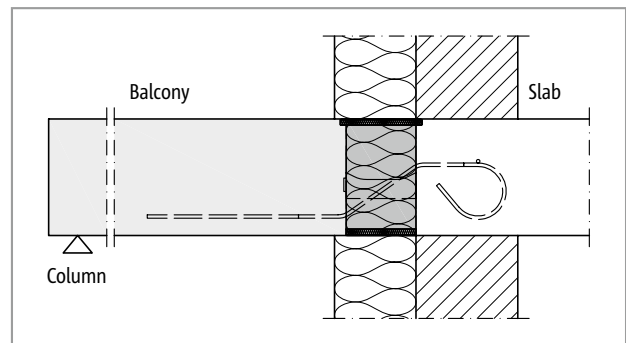


Fig. 239: Schöck Isokorb® XT type Z, Q: Thermal insulating composite system (TICS)

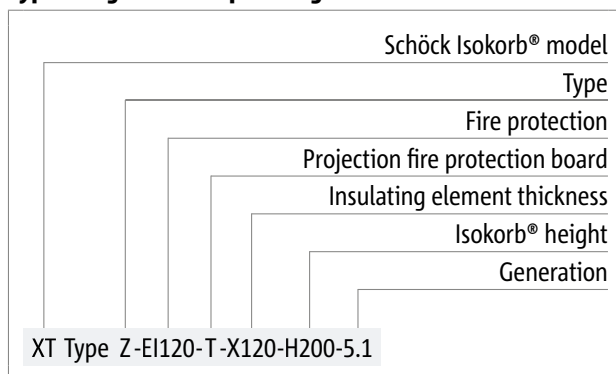
Product selection | Type designations

Schöck Isokorb® XT type Z variants

Configuration of the Schöck Isokorb® XT type Z can be varied as follows:

- Fire resistance class
 - El120: Standard, Fire protection board top and bottom, upper fire protection board without overhang, with slide bar and fire protection tape
 - El120-T: Fire protection board top and bottom, upper fire protection board with overhang, 10 mm on both sides
- Overhang fire protection board:
 - T = Overhang fire protection board
- Insulating element thickness:
 - X120 = 120 mm
- Isokorb® height:
 - H = 160 - 250 mm
- Generation:
 - 5.2
- Isokorb® length:
 - L = 100 mm, 150 mm or 1000 mm

Type designations in planning documents



Product description

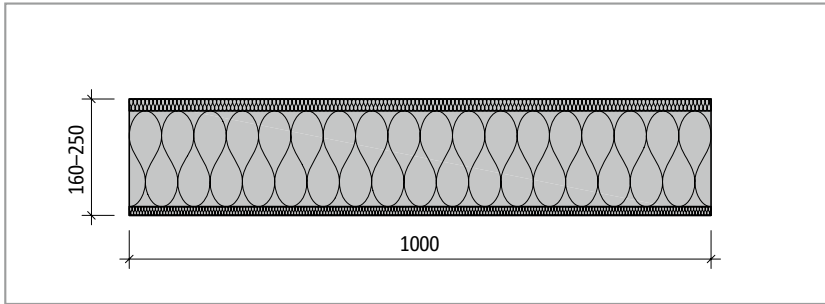


Fig. 240: Schöck Isokorb® XT type Z-EI120-L1000: Product view

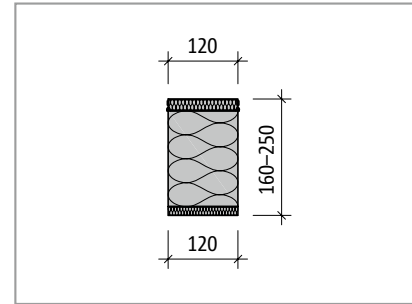


Fig. 241: Schöck Isokorb® XT type Z-EI120: Product section

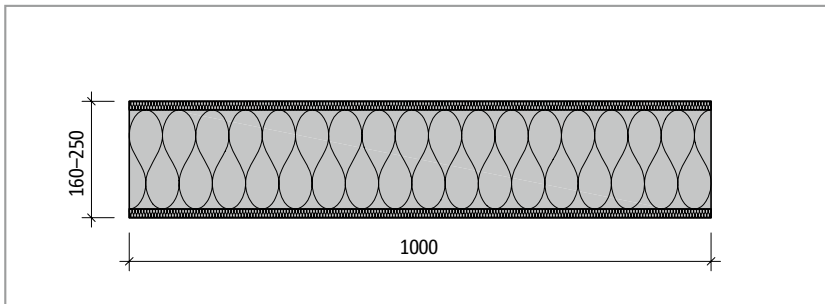


Fig. 242: Schöck Isokorb® XT type Z-EI120-T-L1000: Product view

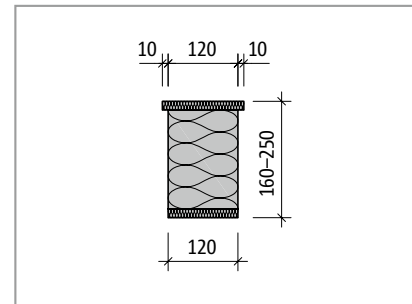


Fig. 243: Schöck Isokorb® XT type Z-EI120-T: Product section

Product information

- The Schöck Isokorb® XT type Z is supplied in lengths of 1000 mm (length 100 mm and 150 mm lengths on request)
- The Schöck Isokorb® XT type Z-L1000 can be shortened as required to the desired length.
- Download further product plan views and cross-sections at cad.schoeck.co.uk

Notes on design

- Edge and centre distances of the adjacent Schöck Isokorb® types are to be noted.
- With the design of a linear connection it is to be noted that the use of the Schöck Isokorb® XT type Z can reduce the design values of the linear connection (e. g. Schöck Isokorb® type with $L = 1.0$ m and Schöck Isokorb® XT type Z with $L = 0.1$ m in regular alternation means a reduction m_{Rd} of the linear connection of ca. 9%)
- The Schöck Isokorb® XT type Z-EI120 is suitable for use with Schöck Isokorb® XT type K and A.
- The Schöck Isokorb® XT type Z-EI120-T is suitable for use with Schöck Isokorb® XT type K-U, K-O, K-HV, K-BH, K-WU, K-WO, Q, QP, D, F and O.
- The Schöck Isokorb® XT type Z-EI120 can be retrofitted (e.g. Transport anchor holes with prefabricated balconies), as fire protection board without overhang.
- The fire protection class of the Schöck Isokorb® XT type Z corresponds with the maximum fire protection class of the connected load-bearing Schöck Isokorb® type (e.g. XT type K→REI120, XT type QP→REI120 or XT type A→REI120).

✓ Check list

- With a linear connection in combination with Schöck Isokorb® of length 1 m has the reduction of the design values of the linear connection been taken into account?
- Are the requirements with regard to fire protection explained and is the appropriate addendum entered in the Isokorb® type description in the implementation plans?

