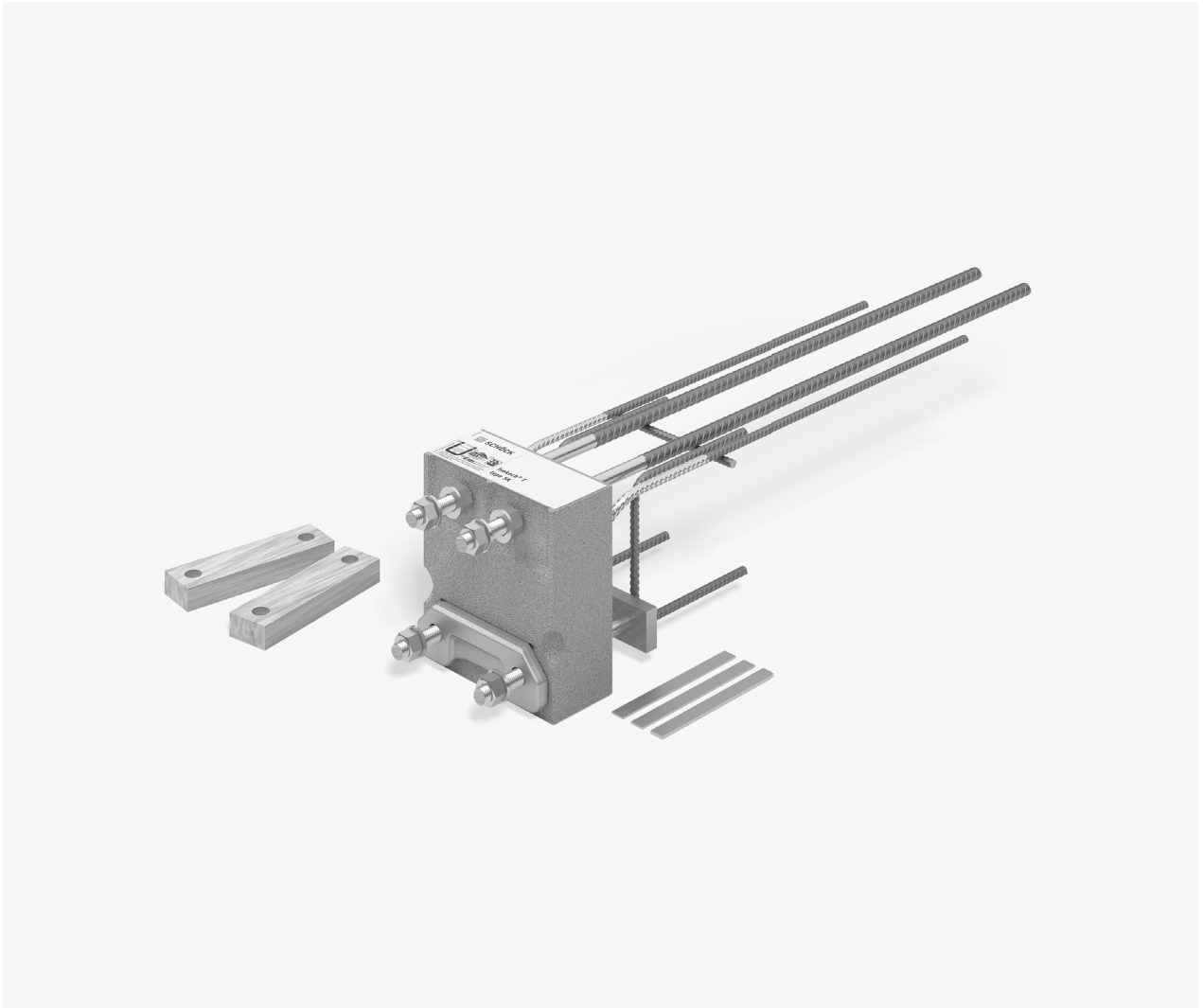


Schöck Isokorb® T type SK



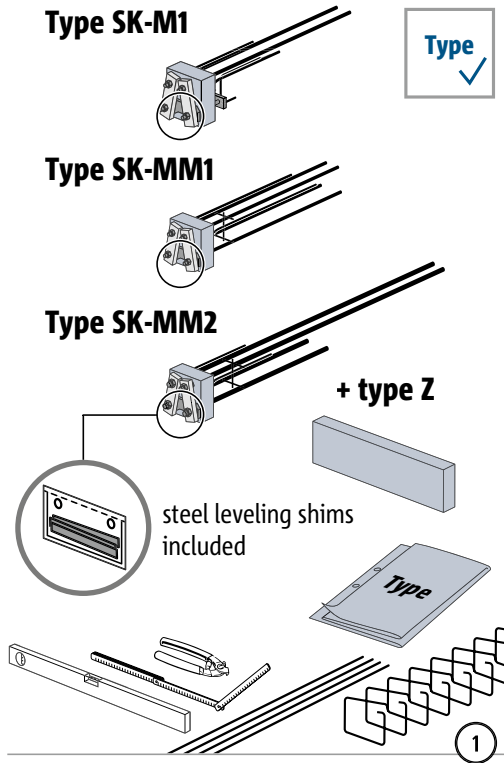
T
type SK


Steel – reinforced concrete

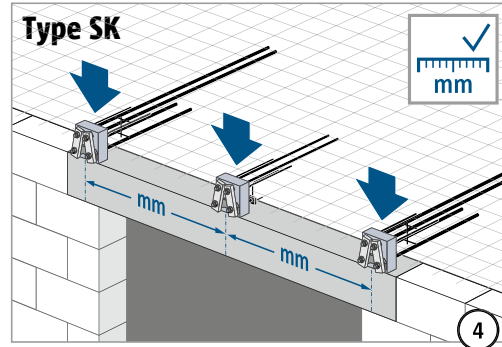
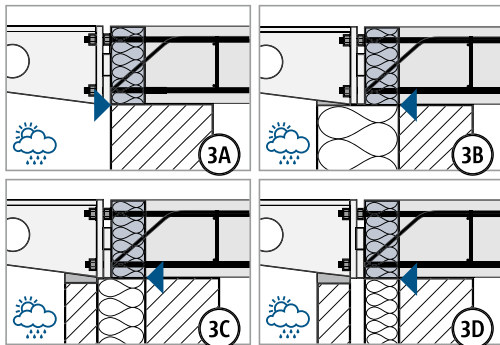
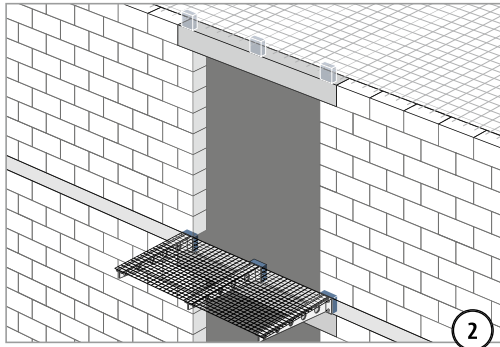
Installation instructions – concrete construction

T
type SK


Steel – reinforced concrete

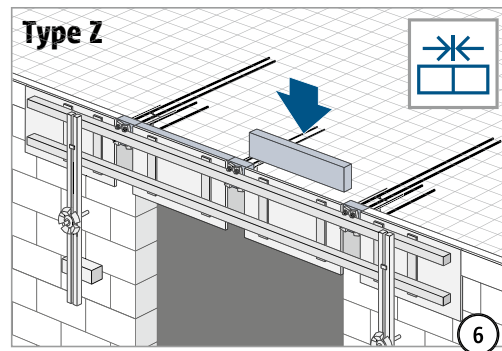
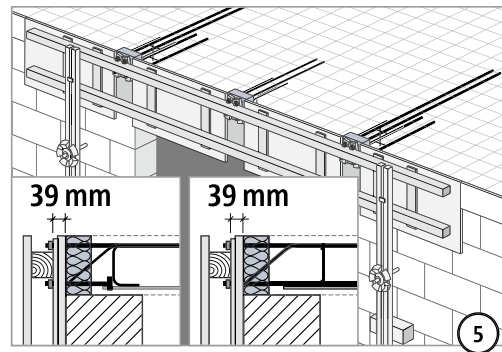


 Check that supplied steel leveling shims, timber blocks and nuts are securely attached!

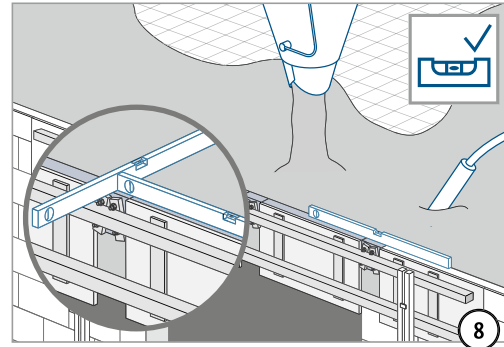
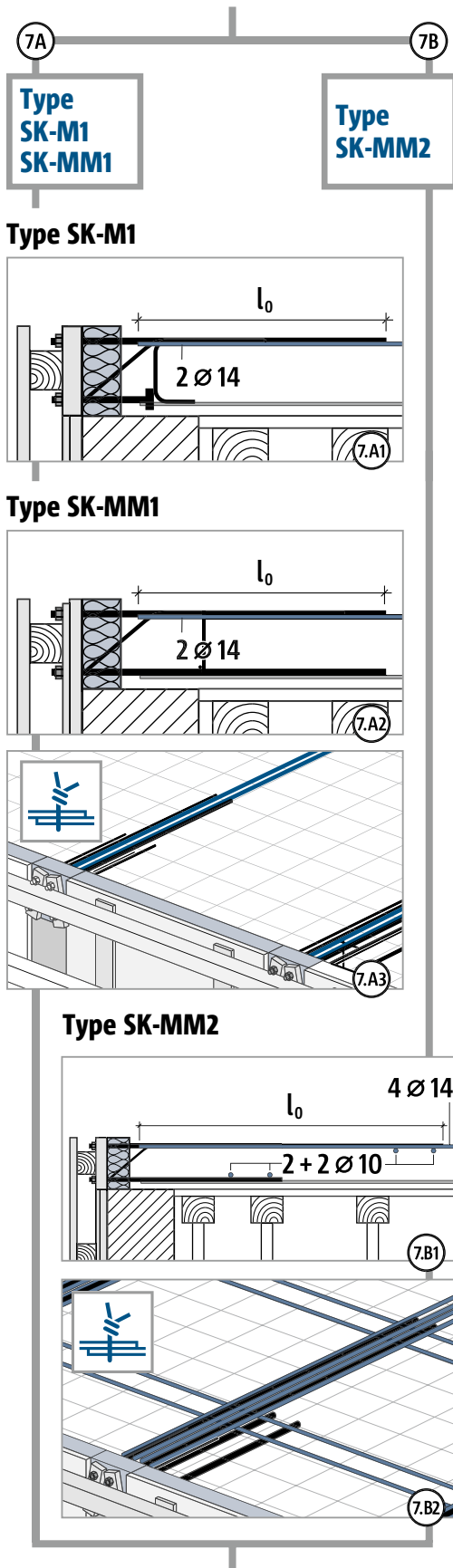


⚠ WARNING

 Risk of falling parts if not properly secured! Plastic bag with steel leveling shims must be secured by both timber blocks and nuts at all times. Steel leveling shims for use by steel contractor/balcony installer only.



Installation instructions – concrete construction



After stripping the formwork – check that supplied steel leveling shims, timber blocks and nuts are securely attached!

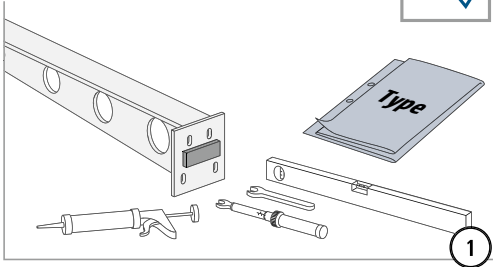
T
type SK

Steel – reinforced concrete

Installation instructions – cantilevered steel beams

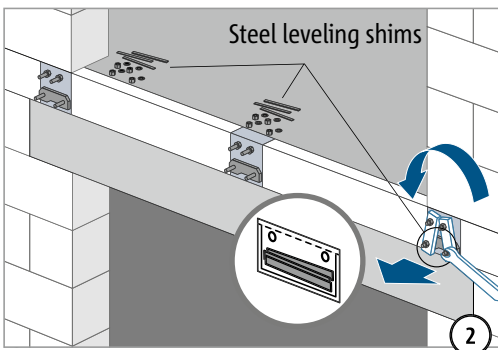
Type SK

Type ✓

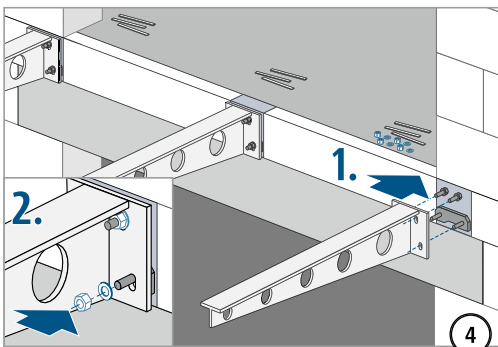
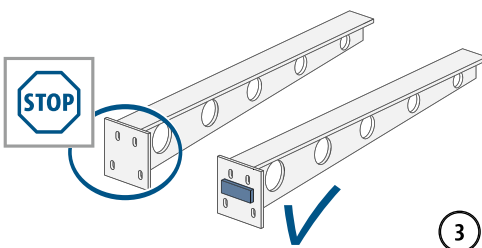


⚠ WARNING

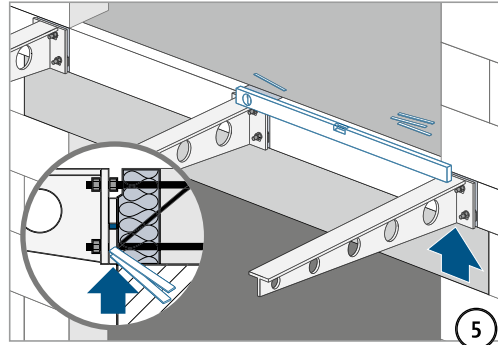
Risk of falling parts if not properly secured! Steel leveling shims, timber blocks and nuts must be secured before and during the installation.



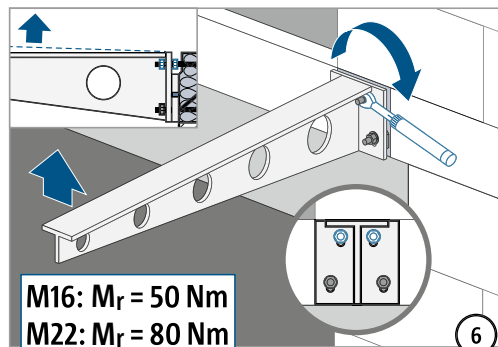
! Before loosening the nuts: Check all screw threads for ease of movement. If necessary, clean and lubricate first!



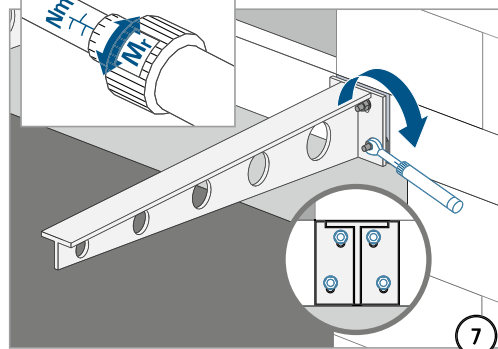
Check before balcony connection: The supplied steel leveling shims are absolutely necessary for the force-fit height compensation from the on-site butt-stop to the steel plate of the Isokorb®.



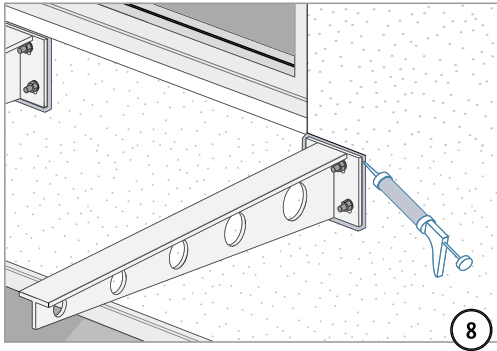
Type	Screw thread (tension/compression)	Width across flats
SK-M1-V1	M16	24 mm
SK-M1-V2	M16	24 mm
SK-MM1-VV1	M16	24 mm
SK-MM2-VV1	M22	32 mm
SK-MM2-VV2	M22	32 mm



M16: $M_r = 50 \text{ Nm}$
M22: $M_r = 80 \text{ Nm}$



Installation instructions – cantilevered steel beams



T
type SK

Steel – reinforced concrete

