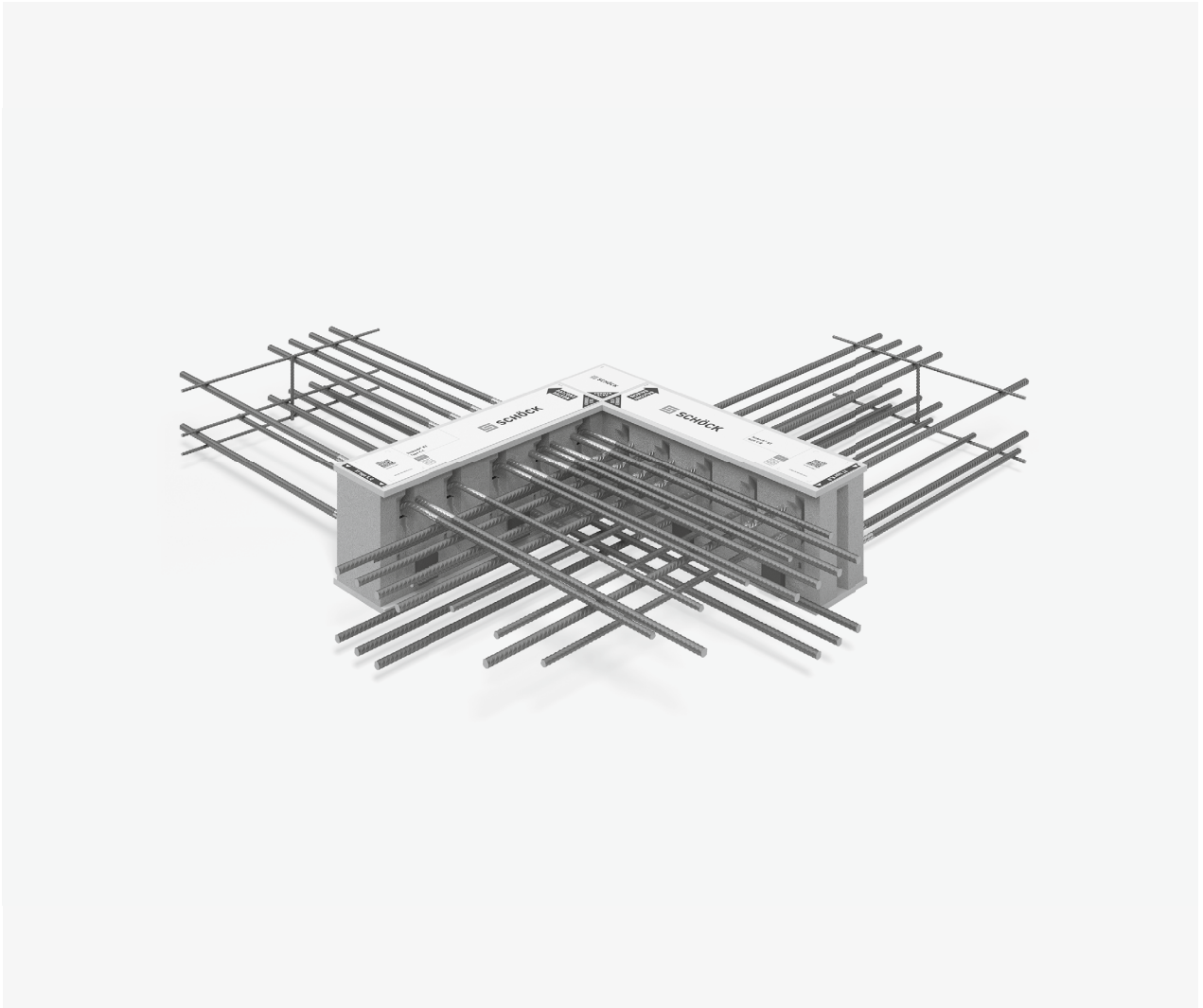


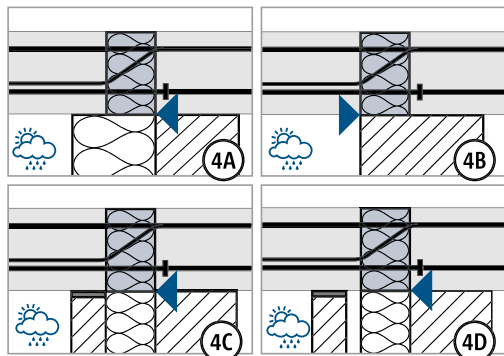
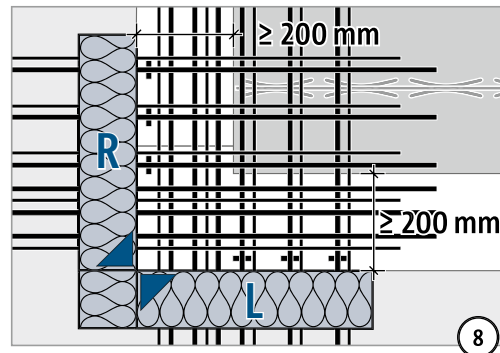
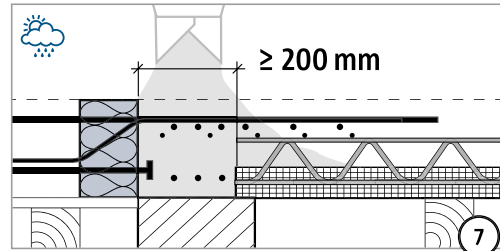
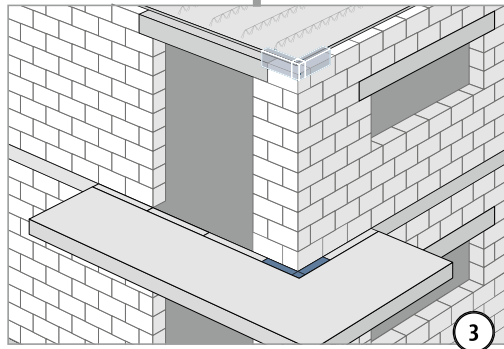
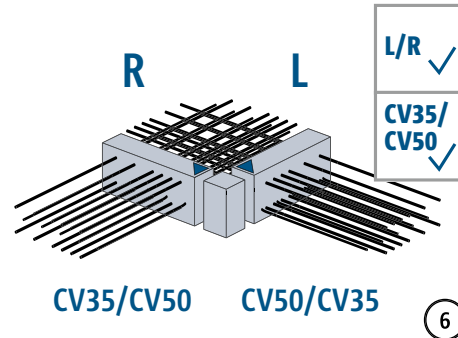
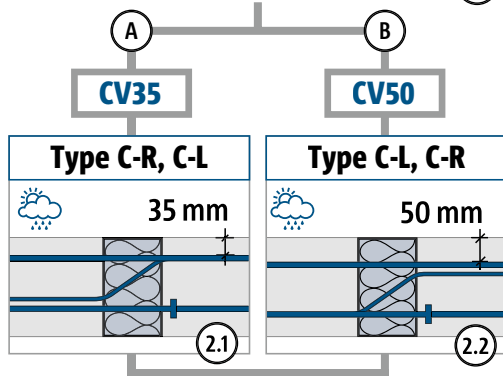
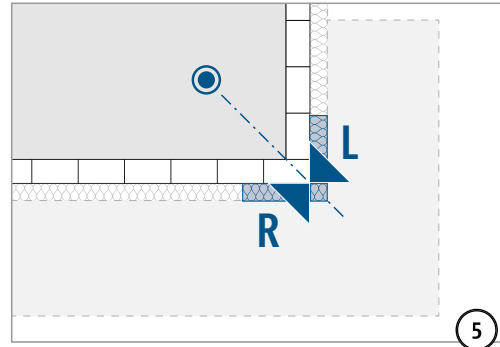
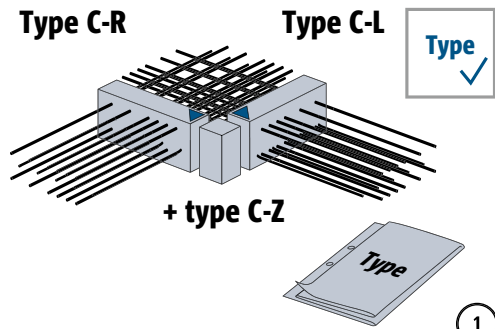
Schöck Isokorb® XT type C



XT
type C

Reinforced concrete – reinforced
concrete

Installation instructions – connection across the corner

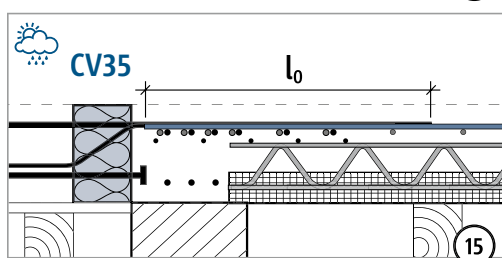
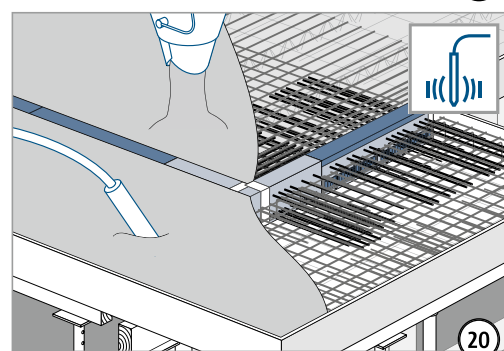
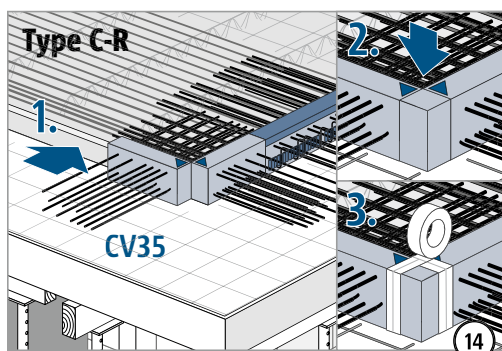
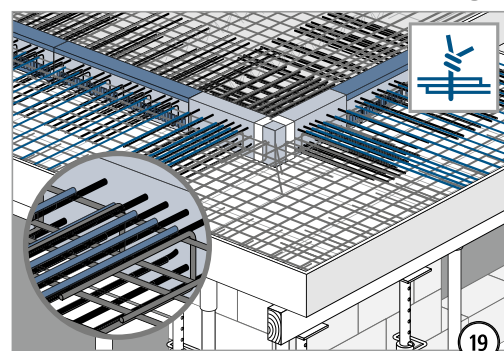
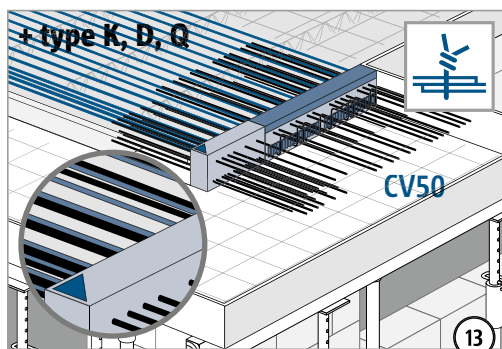
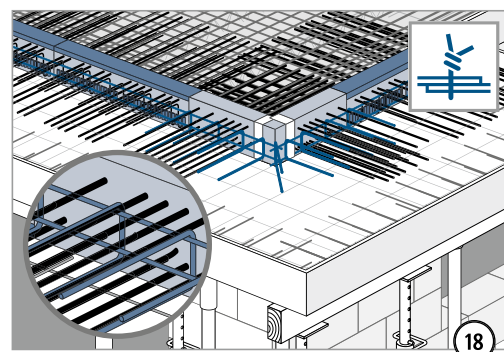
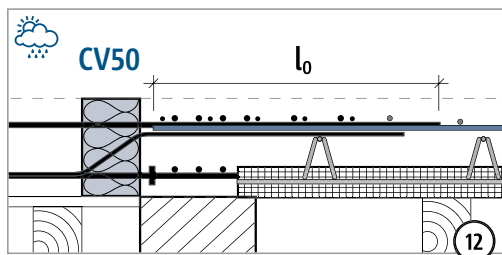
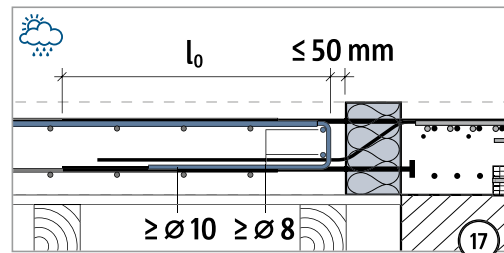
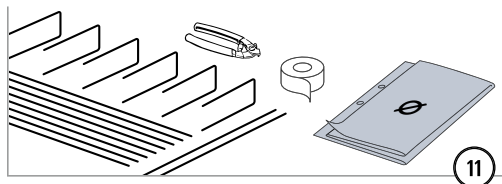
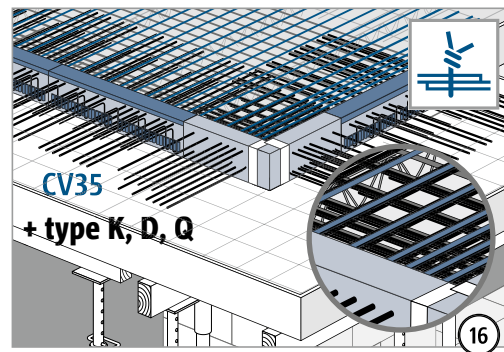
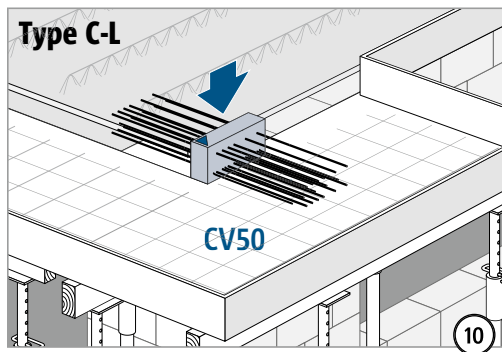


Step formwork in accordance with work plan.

XT
type C

Reinforced concrete – reinforced
concrete

Installation instructions – connection across the corner

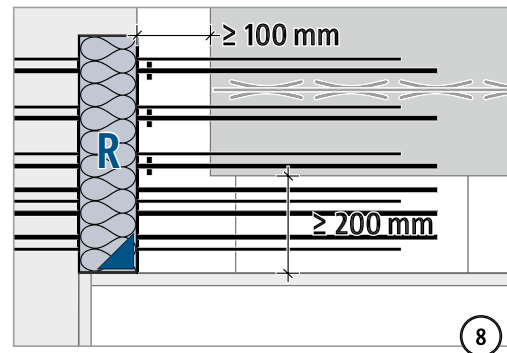
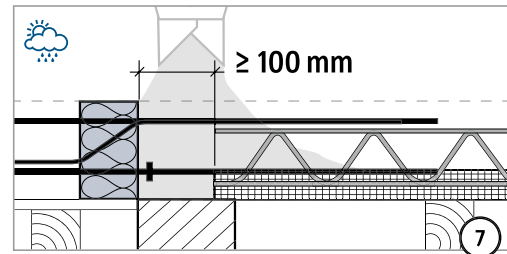
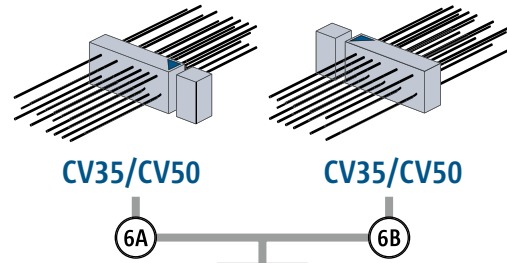
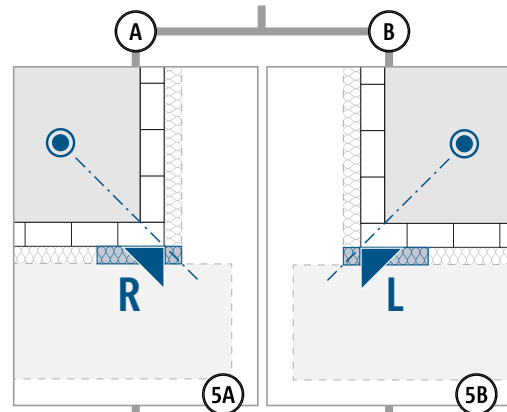
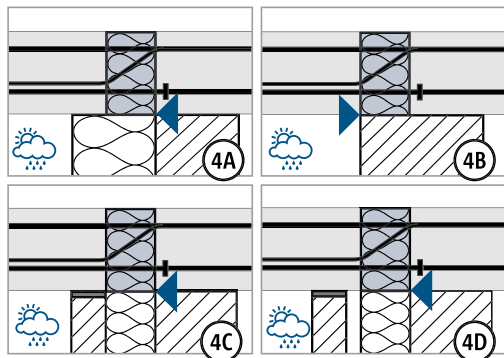
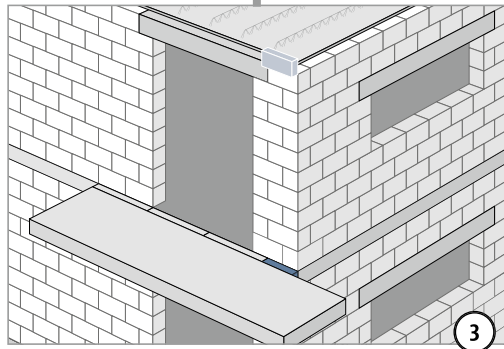
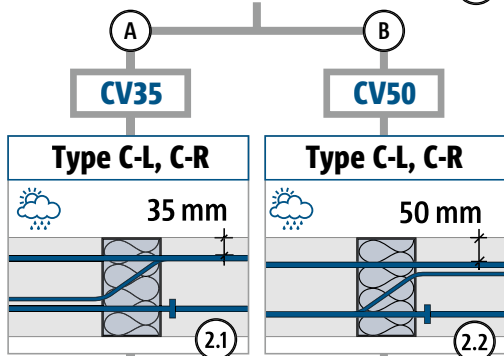
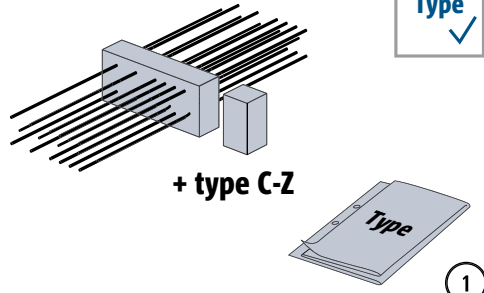


XT
type C

Reinforced concrete – reinforced
concrete

Installation instructions – linear connection

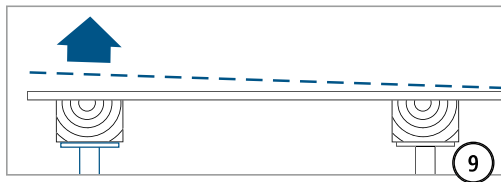
Type C-L, C-R



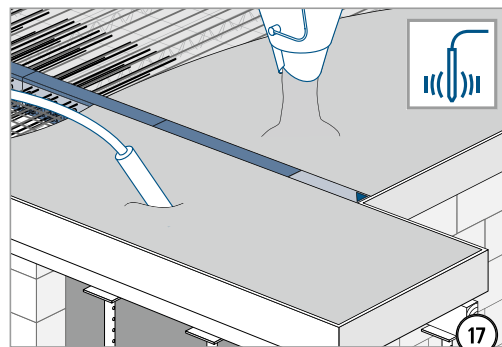
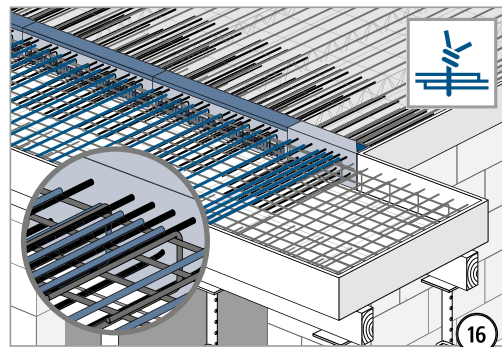
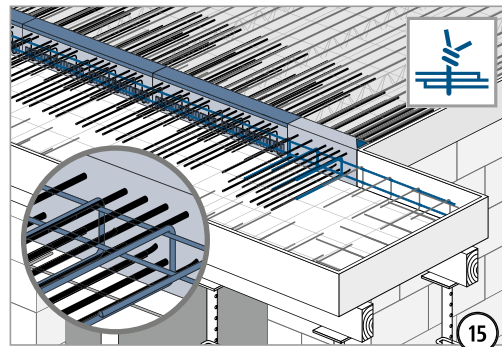
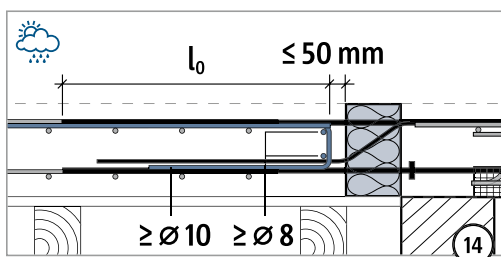
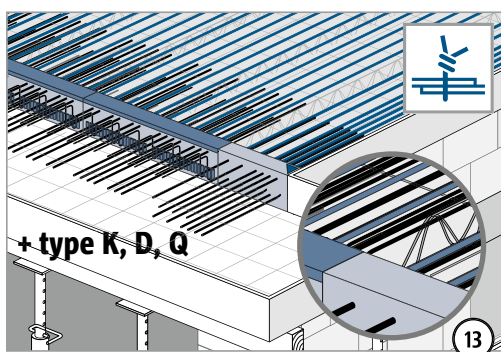
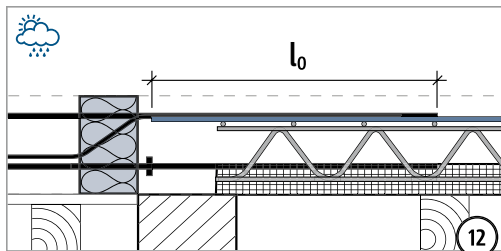
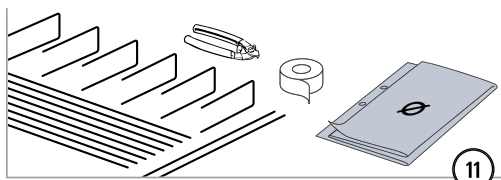
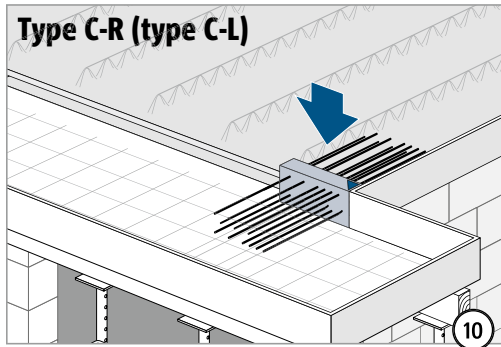
XT
type C

Reinforced concrete – reinforced
concrete

Installation instructions – linear connection



Step formwork in accordance with work plan.



XT
type C

Reinforced concrete – reinforced
concrete

