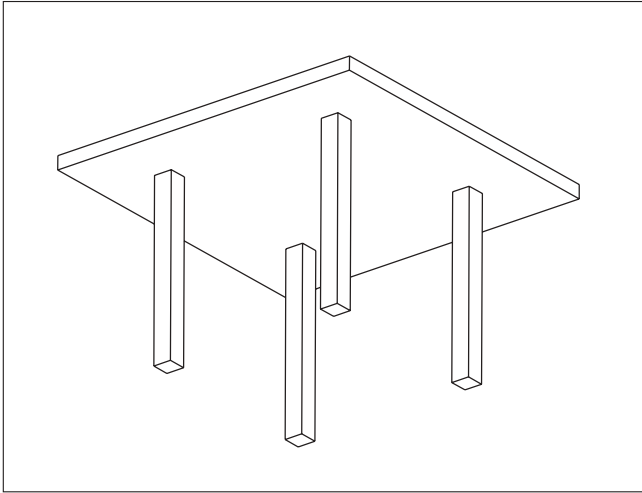


Schöck BOLE®

Why choose Schöck BOLE®?

Advantages in flat slabs



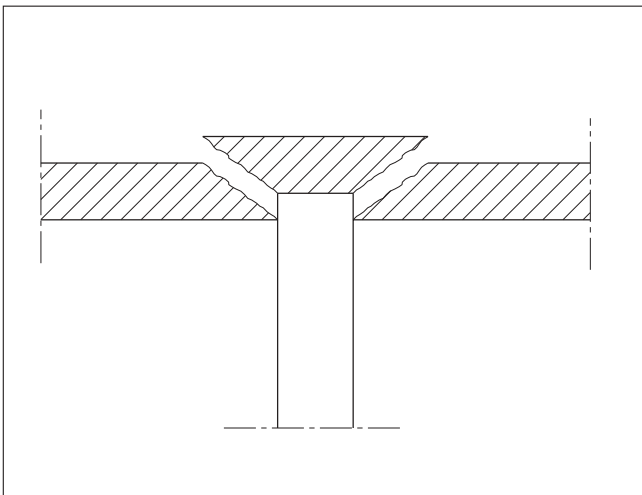
Flat slabs are concrete reinforced slabs which are not supported by downstand beams or wall, but only by columns.

Special plus points are:

- Minimisation of shuttering time
- Simplification of reinforcement work
- Ease of under slab work (e.g. air ducts)
- Minimisation of storey heights

Flat slabs are an economical form of floor construction. At the same time offering optimum use of space and unhindered extension possibilities.

Punching failure in flat slabs

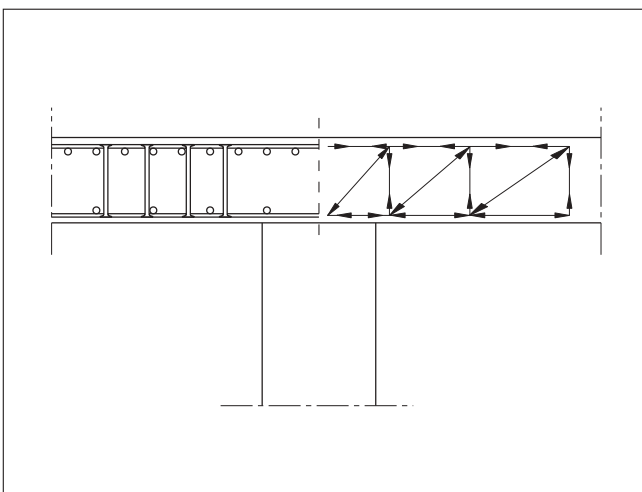


The risk of punching failure is often a determining factor when deciding the thickness of floors supported by columns.

Other options to consider when increasing the loads in the stress area are concrete quality, increasing the reinforcement content, enlarged columns head, etc.

The options detailed above are neither cost or time effective and often are not even capable of providing an improvement that justifies their use.

The solution with Schöck BOLE®



The nature of Schöck BOLE's system prevents punching failure.

The two spacer rods which are welded to the vertical studs ensure the correct distance between uprights. The size of the studs heads also ensure a perfect finishing bond with the concrete.

Thus an increased shear force resistance of approx. 70 % can be achieved in comparison to the usual stirrup reinforcement system.