

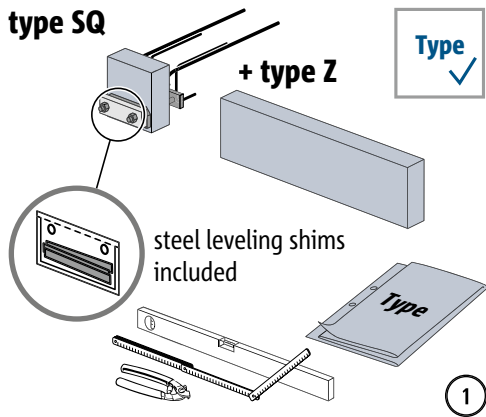
Schöck Isokorb® T type SQ




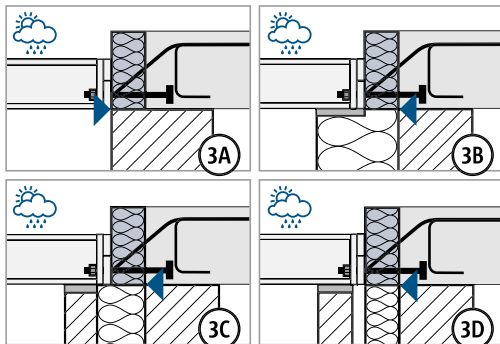
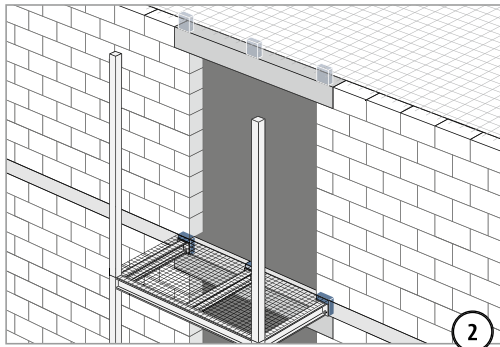
T
type SQ


Steel – reinforced concrete

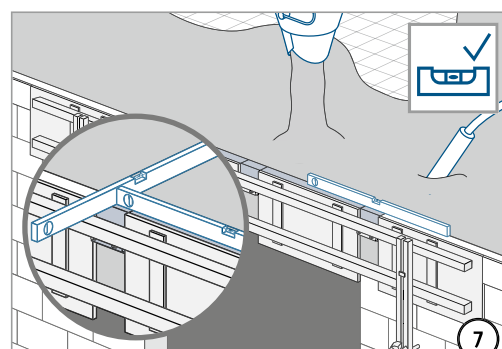
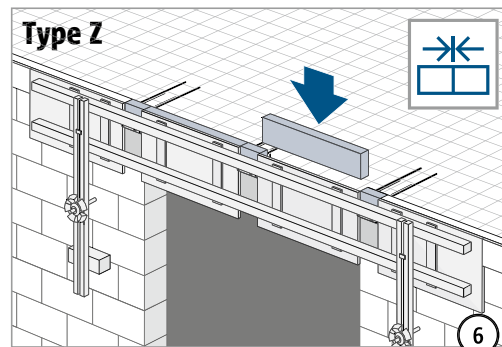
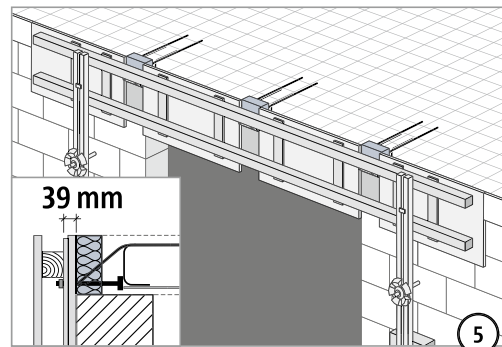
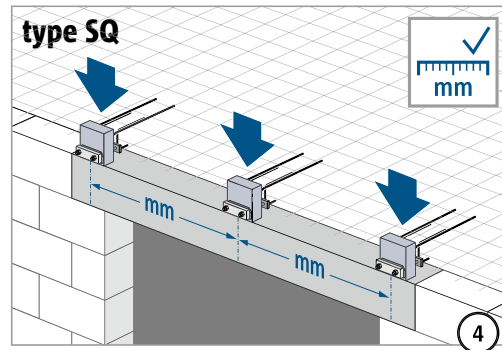
Installation instructions – concrete construction




 Check that supplied steel leveling shims, timber blocks and nuts are securely attached!



 **WARNING**
 Risk of falling parts if not properly secured! Plastic bag with steel leveling shims must be secured by both timber blocks and nuts at all times. Steel leveling shims for use by steel contractor/balcony installer only.



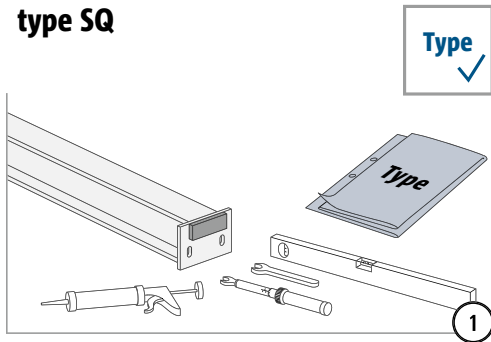
 After stripping the formwork – check that supplied steel leveling shims, timber blocks and nuts are securely attached!

T
type SQ

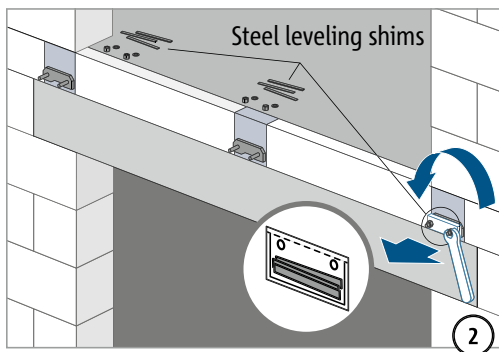
Steel – reinforced concrete

Installation instructions – supported steel beams

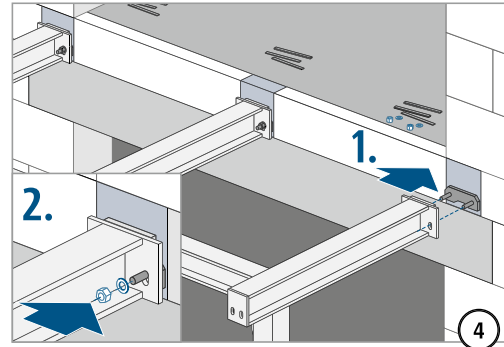
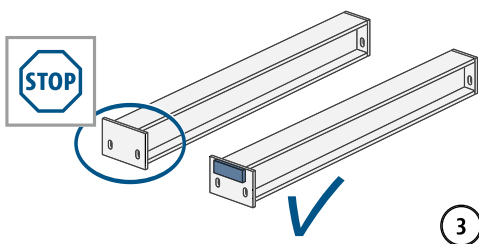
type SQ



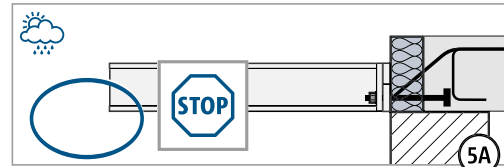
	<p>⚠ WARNING</p> <p>Risk of falling parts if not properly secured! Steel leveling shims, timber blocks and nuts must be secured before and during the installation.</p>
	<p>Before loosening the nuts: Check all screw threads for ease of movement. If necessary, clean and lubricate first!</p>



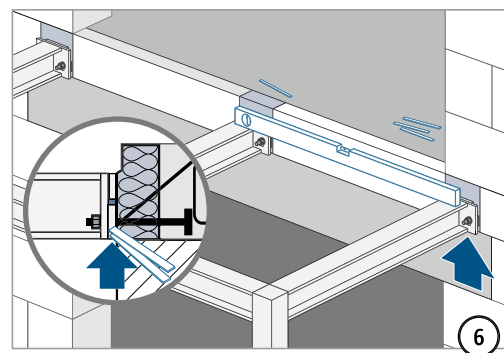
Before loosening the nuts: Check all screw threads for ease of movement. If necessary, clean and lubricate first!



Check before balcony connection: The supplied steel leveling shims are absolutely necessary for the force-fit height compensation from the on-site butt-stop to the steel plate of the Isokorb®.



	<p>⚠ WARNING</p> <p>Hazard due to falling structural components with missing support! The balcony must always be supported statically designed. Remove temporary support only after installation of final support.</p>
	<p>Remove temporary support only after installation of final support.</p>

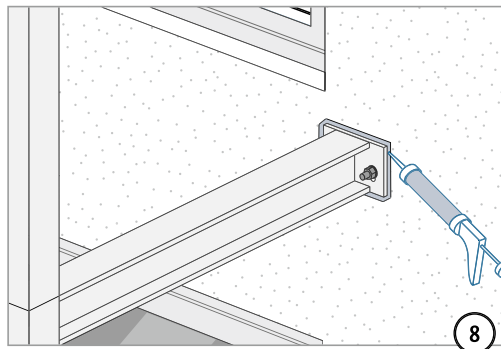
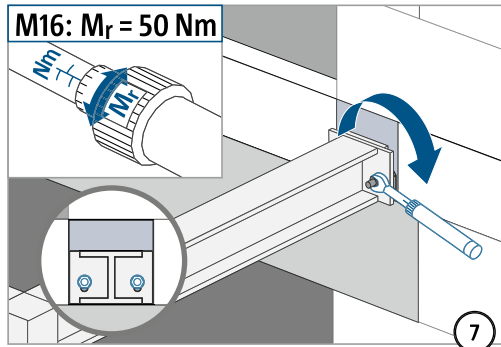


T
type SQ

Steel – reinforced concrete

Installation instructions – supported steel beams

Type	Screw threads	Width across flats
SQ-V1	M16	24 mm
SQ-V2	M16	24 mm
SQ-V3	M16	24 mm

T
type SQ

Steel – reinforced concrete